

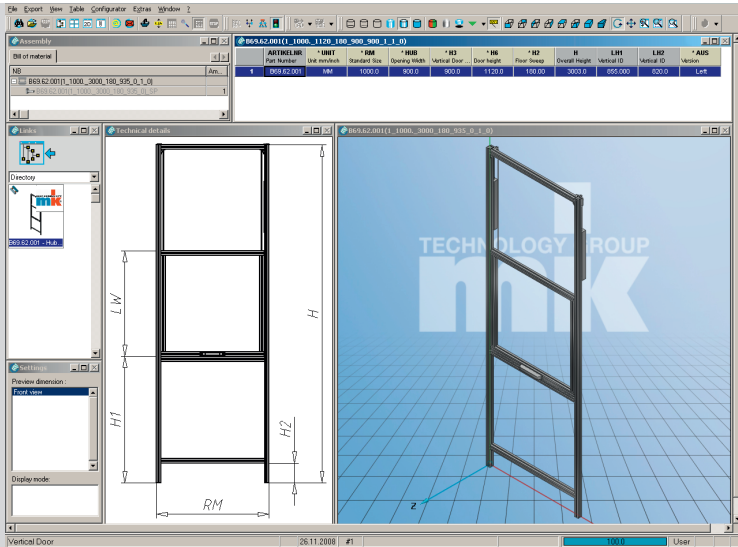


Planning
made easy –

*with the new
mk QuickDesigner*

mk Parts

CAD Parts Library

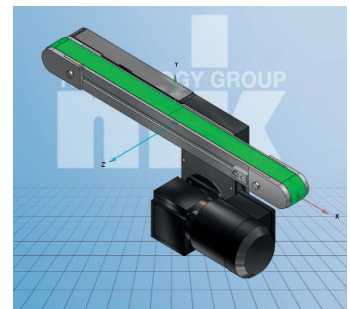
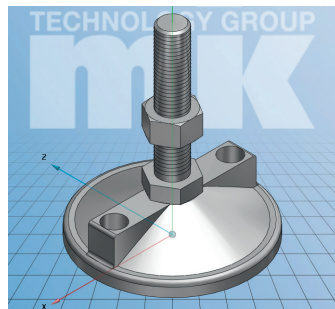
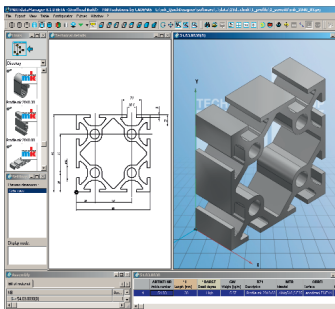


Fast and Easy Design

“mk Parts” provides customers and designers with access to mk product files in most native and neutral CAD formats.

The “mk Parts” CAD library complements our print catalogs. Nearly 700 profiles and connecting elements, as well as our

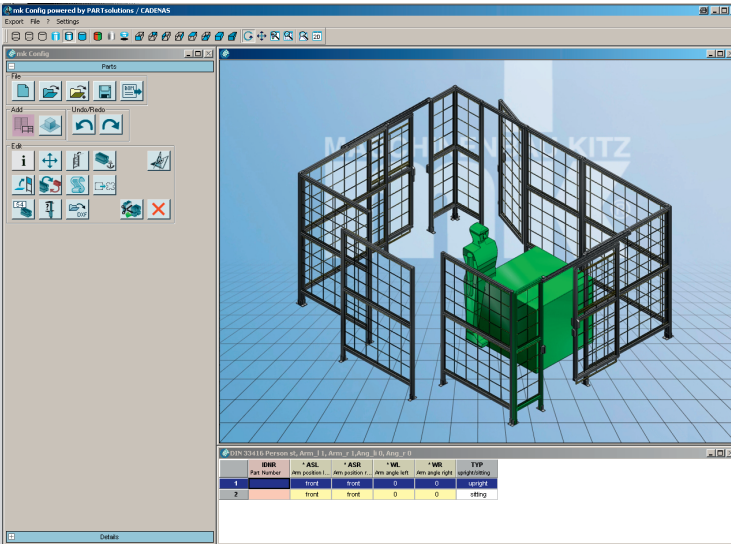
GUF-P 2000 conveyors, are available and completely configurable.



- 3D drawings can be exported to your CAD system.
- Configure individual parts or complete assemblies.

- Integrated Quotation and Order modules including RFQ and Bills of Materials.
- Product search using name or item number, as well as shopping cart function.

- Visit us at www.mk-group.com for the most up-to-date CAD library available in all popular native and neutral file formats.

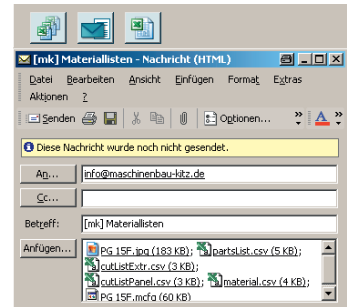
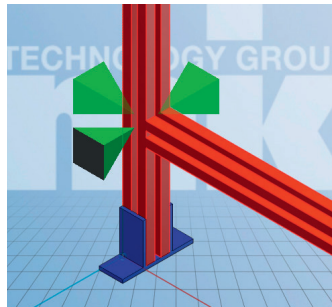
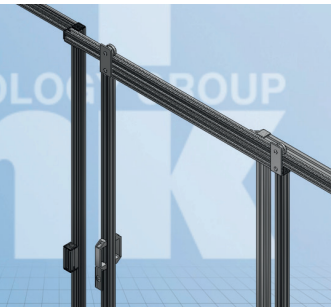


Fast and Easy Design of Perimeter Guarding

Quickly design custom perimeter guarding without CAD system or CAD skills.

Standard elements can be completely customized.

After completing the design, finish your project using the integrated RFQ and Order functions.



- Reduction of engineering and design time by up to 80 - 90%
- Standard and economy framing options
- Large variety of paneling, window and door options
- Reduced material costs by use of standardized components.
- No CAD software or CAD skills required

- Can be installed or run directly from CD
- Easy to use interface with 3D graphics
- Automatic creation and dimensioning of 2D and 3D drawings
- Import .dxf layouts
- IGES, STEP and JPEG export formats

- Automatic generation of parts lists, cut lists, bill of materials lists and weight estimates.
- Direct design verification and modification via e-mail
- Easier, faster and more accurate order processing
- Choose between different ordering options (raw materials, kit, assembled) depending on your workload and capacities



mk North America, Inc.
a company of the
mk Technology Group

mk North America, Inc.
Bloomfield, CT 06002

Phone +49 860 769 5500
Fax +49 860 769 5505

www.mknorthamerica.com
sales@mknorthamerica.com