

# Accumulating Roller Chain Conveyor SRF-P 2012

5



» For feeding and buffering in heavy load ranges. «

The SRF-P 2012 accumulating roller chain conveyor is intended as the basis for constructing transfer lines for loads up to 1000 kg. The freespinning conveyor rollers run smoothly, even during accumulated operation. They also keep accumulation forces to a minimum. Typical applications include interlinking or buffering between workstations and building complete transfer lines.

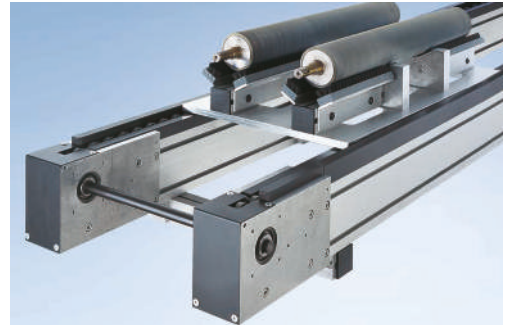
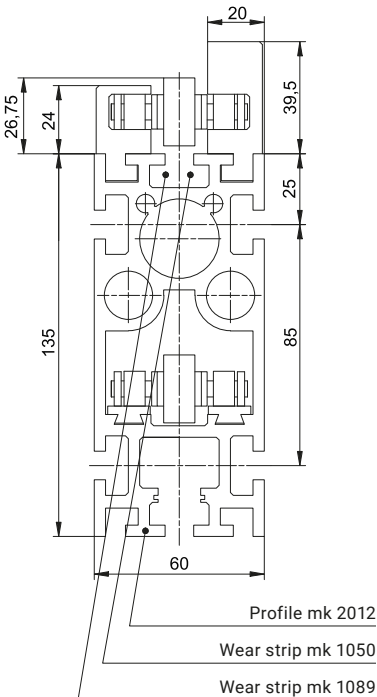
Longitudinal slots in the mk 2012 profile beam provide flexible options for connecting struts, guides, initiators and components from the mk profile system. Like all chain conveyors, the system can be equipped with an optional tensioning device and continuous lubrication device to extend the service intervals.

The wear and guide strips that support and guide the timing belt are made from ultra-high-molecular weight polyethylene (PE-UHMW), and provide a low friction coefficient with excellent wear characteristics over a wide temperature range (up to 65° C over extended periods).

## Benefits of the SRF-P 2012

- Cycled transport of piece goods, either conventional or orientated
- Precise conveying, feeding and positioning up to 250 kg
- Available as a single, double or multiple line conveyor
- Various belt coatings for optimal gripping of the workpiece
- Ribs can be attached to hold the workpieces
- Suitable for dirty and oily environments

### Cross Section

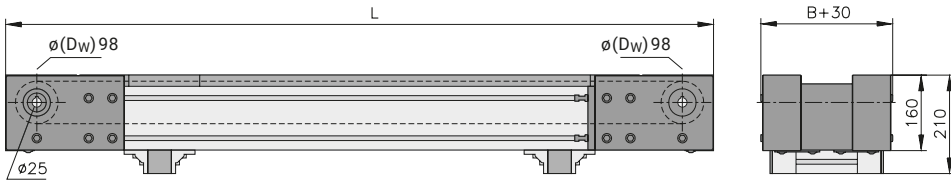


## Properties

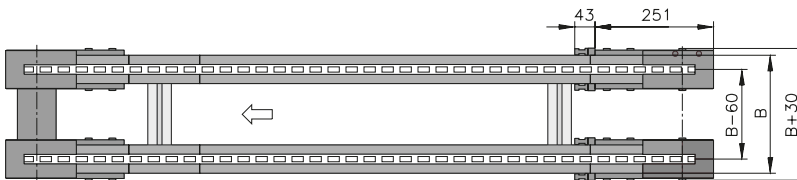
The AA drive variant offers the benefit of operating multiple conveyor lines in parallel or in series with one drive. Depending on your requirements, the conveyor is designed either with a hollow shaft or with a connecting shaft with shaft journal ( $\varnothing 20/25$  mm, usable length of 40 mm, includes DIN 6885 key).

## B20.12.008

5



For information about wear strip variants, see page 213



## Technical data

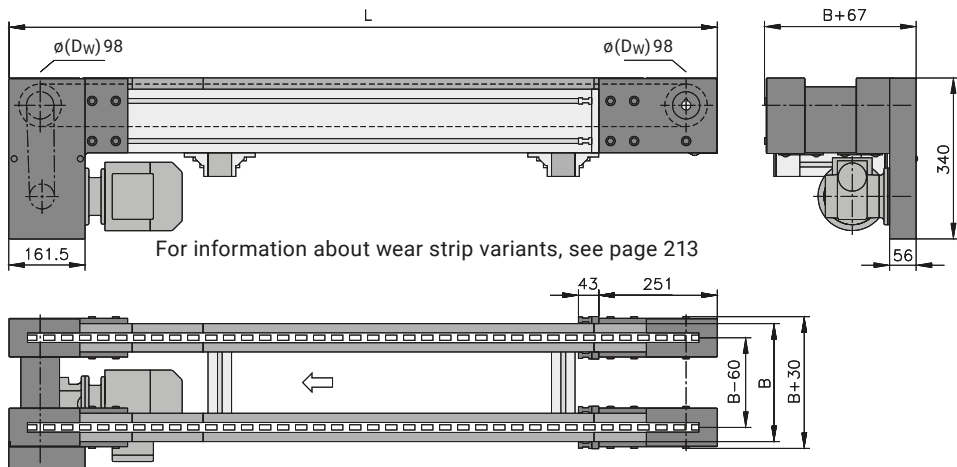
<b>Conveyor length L</b>	individual from 1000–10000 mm (note the chain pitch)	
<b>Conveyor width B</b>	200 to 2000 mm	
<b>Chains</b>	3/4" accumulating roller chain with plastic or steel rollers	p. 215
<b>Drive and speed</b>	up to 30 m/min	p. 12
<b>Stand and side rail</b>		from p. 280
<b>Standard total load</b>	up to 1000 kg	higher on request
<b>Standard distributed load</b>	up to 150 kg/m	



## Properties

The sprocket ensures excellent transmission of the motor power.

## B20.12.007



## Technical data

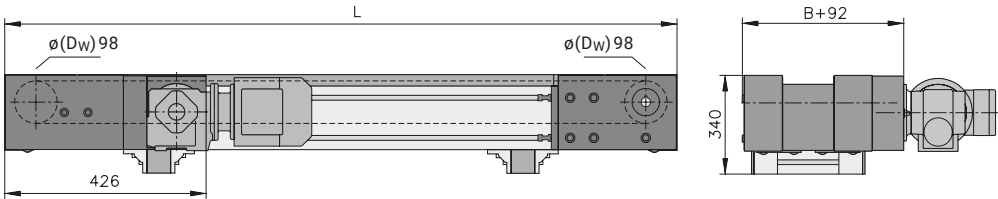
<b>Conveyor length L</b>	individual from 1000–10000 mm (note the chain pitch)	
<b>Conveyor width B</b>	200 to 2000 mm	
<b>Chains</b>	3/4" accumulating roller chain with plastic or steel rollers	p. 215
<b>Drive location</b>	discharge end left/right, underneath	
<b>Drive and speed</b>	up to 30 m/min	p. 12
<b>Stand and side rail</b>		from p. 280
<b>Standard total load</b>	up to 1000 kg	higher on request
<b>Standard distributed load</b>	up to 150 kg/m	

## Properties

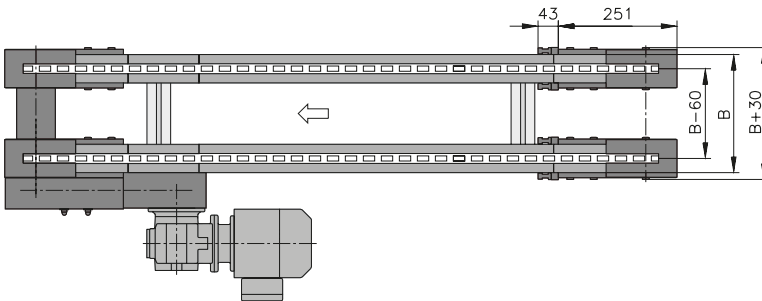
The drive positioned laterally on the outside allows the total height of the conveyor to be restricted to a minimum.

## B20.12.009

5



For information about wear strip variants, see page 213



## Technical data

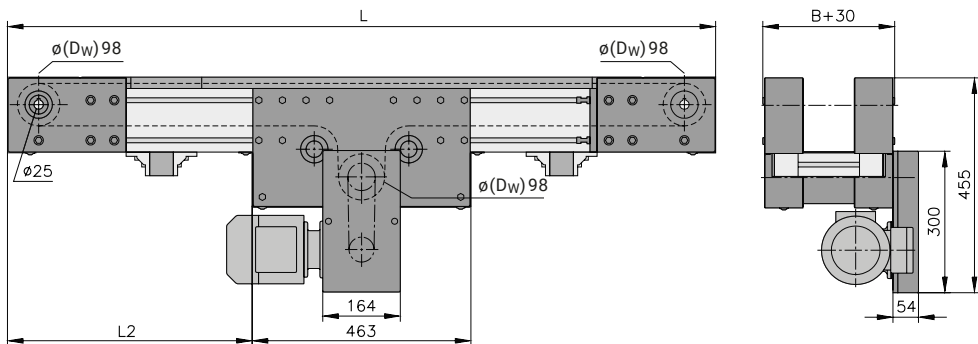
<b>Conveyor length L</b>	individual from 1000–10000 mm (note the chain pitch)	
<b>Conveyor width B</b>	200 to 2000 mm	
<b>Chains</b>	3/4" accumulating roller chain with plastic or steel rollers	p. 215
<b>Drive location</b>	discharge end left/right	
<b>Drive and speed</b>	up to 30 m/min	p. 12
<b>Stand and side rail</b>		from p. 280
<b>Standard total load</b>	up to 1000 kg	higher on request
<b>Standard distributed load</b>	up to 150 kg/m	



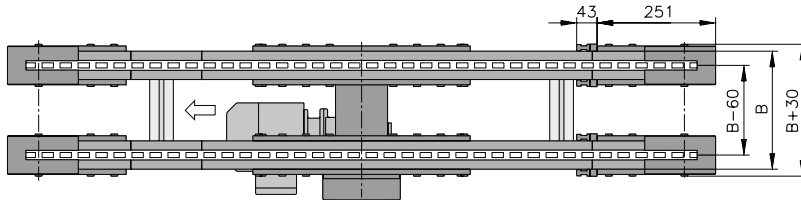
## Properties

The compact conveyor frame design and the ability to freely select the drive position over the entire length of the conveyor make it easier to integrate the conveyor into existing systems.

### B20.12.010



For information about wear strip variants, see page 213



## Technical data

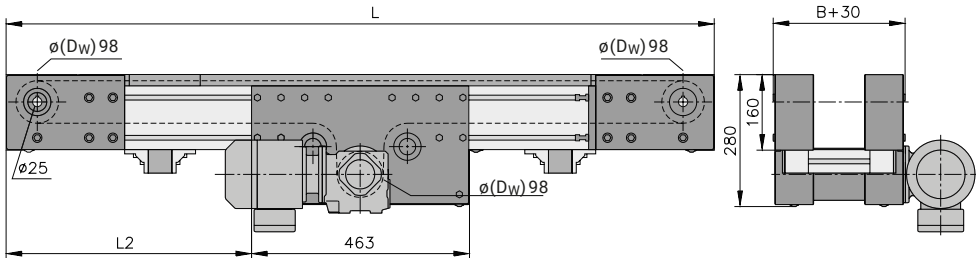
<b>Conveyor length L</b>	individual from 1000–10000 mm (note the chain pitch)	
<b>Conveyor width B</b>	200 to 2000 mm	
<b>Chains</b>	3/4" accumulating roller chain with plastic or steel rollers	p. 215
<b>Drive location</b>	left/right underneath	
<b>Drive and speed</b>	up to 30 m/min	p. 12
<b>Stand and side rail</b>		from p. 280
<b>Standard total load</b>	up to 1000 kg	higher on request
<b>Standard distributed load</b>	up to 150 kg/m	

## Properties

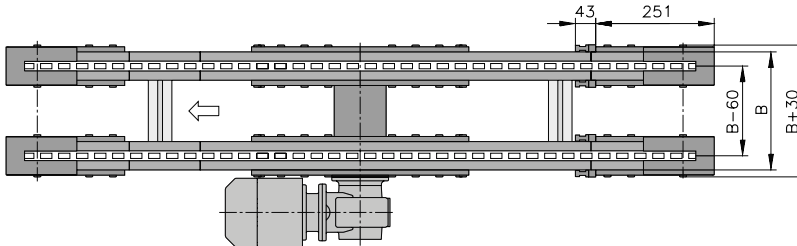
Since the motor is fitted directly onto the drive shaft, the space requirements and maintenance effort for this drive version are reduced to a minimum. The compact conveyor frame design and the ability to freely select the drive position over the entire length of the conveyor make it easier to integrate the conveyor into existing systems.

## B20.12.011

5



For information about wear strip variants, see page 213



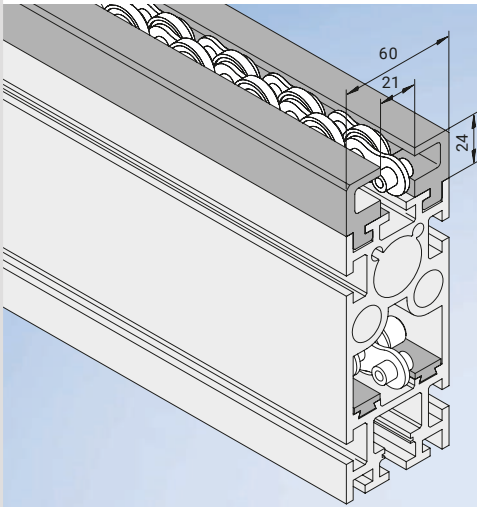
## Technical data

<b>Conveyor length L</b>	individual from 1000–10000 mm (note the chain pitch)	
<b>Conveyor width B</b>	200 to 2000 mm	
<b>Chains</b>	3/4" accumulating roller chain with plastic or steel rollers	p. 215
<b>Drive location</b>	discharge end left/right	
<b>Drive and speed</b>	up to 30 m/min	p. 12
<b>Stand and side rail</b>		from p. 280
<b>Standard total load</b>	up to 1000 kg	higher on request
<b>Standard distributed load</b>	up to 150 kg/m	

# SRF-P 2012 Wear Strips

Wear and guide strips from mk ensure low friction.  
 The wear strips are made from PE-UHMW (PE-1000). Temperature range up to a maximum of 65° C.

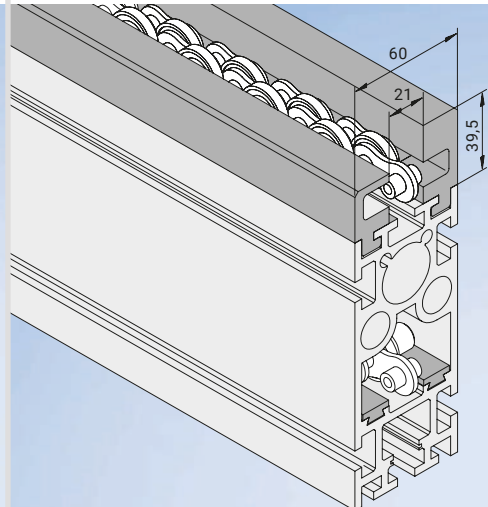
## Variant A



Top wear strip mk 1089  
**22.89.2000**

Bottom wear strip mk 1022  
**22.22.2000**

## Variant B



Top right wear strip mk 1050  
**22.50.2000**

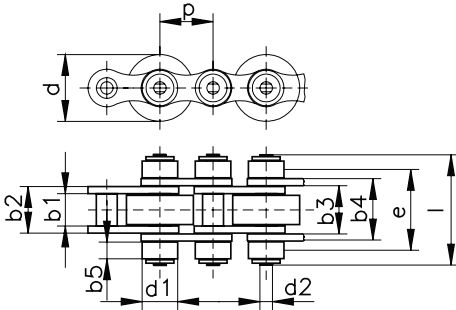
Top left wear strip mk 1089  
**22.89.2000**

Bottom wear strip mk 1022  
**22.22.2000**

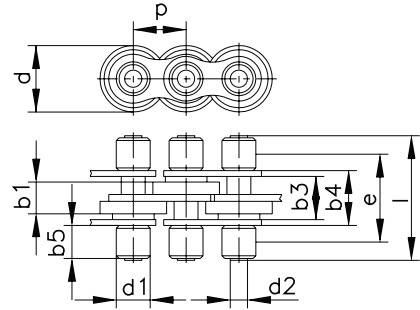


... for SRF-P 2010 and SRF-P 2012

Accumulating roller chain with accumulating rollers in series



Accumulating roller chain with accumulating rollers offset



**SRF-P 2010**

Steel chain K11418  
Chain, plastic roller, K11435  
Steel chain, finger guard, K11425  
Chain, plastic roller, finger guard, K11424  
Locking link K114180001

**SRF-P 2012**

Steel chain K11415  
Chain, plastic roller, K11407  
Locking link K114060001

**SRF-P 2010**

Steel chain K11421  
Chain, plastic roller, K11420  
Locking link K114180001

**SRF-P 2012**

Steel chain K11423  
Chain, plastic roller, K11422  
Locking link K114060001

St = steel roller, Kst = plastic roller, FES = protective finger guard, VSG = locking link

**Dimensions in mm**

	12.70 (1/2")	19.05 (3/4")		12.70 (1/2")	19.05 (3/4")
<b>p</b>	12.70 (1/2")	19.05 (3/4")	<b>p</b>	12.70 (1/2")	19.05 (3/4")
<b>b1</b>	7.75	11.68	<b>b1</b>	9.20	11.70
<b>b2</b>	11.15	15.62	-	-	-
<b>b3</b>	11.40	15.80	<b>b3</b>	11.40	15.80
<b>b4</b>	14.70	20	<b>b4</b>	14.50	19.55
<b>d1</b>	8.50	12	<b>d1</b>	8.51	12.07
<b>g</b>	•	•	<b>g</b>	•	•
<b>d2</b>	4.45	5.72	<b>d2</b>	4.45	5.72
<b>l1</b>	•	•	<b>l1</b>	•	•
<b>l2</b>	•	•	<b>l2</b>	•	•
<b>e</b>	•	•	<b>e</b>	18.70	31.50
<b>l</b>	27	48	<b>l</b>	27	45
<b>b5</b>	4	11.50	<b>b5</b>	6.25	12.73
<b>d</b>	16	24	<b>d</b>	16	24

up to 60° C, special version up to 120° C